

Safety/Slide Lock is located at top of left grip. Sliding safety lever upward, into slide notch engages safety, exposes letter (S) on grip and places pistol in "SAFE" position.

Sliding safety lever down, out of slide notch, places pistol in "Firing" position.

Slide can be locked open by moving slide to rearmost position and at this time pushing safety lever up into the notch in the slide. Breech, chamber, and barrel inspection or cleaning is easily performed in this position.

Safety is engaged **only** when lever is up in the slide notch, when lever is out of notch, pistol is in "Firing" position.

LOADING THE PISTOL: After loading your Magazine, insert it into the bottom of the handle and push it into the pistol as far as possible. When fully inserted, the Magazine Catch will hook over the bottom of the Magazine and hold it in its proper position. Take the pistol in one hand with a firm grip, making sure your fingers are not touching the trigger. **Point your pistol in a safe direction** and with your other hand firmly grasp the serrated portion of the Slide and pull it as far rearward as it will go. **RELEASE THE SLIDE FROM ITS REARMOST POSITION ALLOWING IT TO GO FORWARD ON ITS OWN ACCORD.** This procedure places the first cartridge into the chamber and the gun is ready for firing. Subsequent feeding and ejection operations are performed automatically until the pistol is empty.

CAUTION: UNLOAD YOUR PISTOL IF YOU DO NOT INTEND TO SHOOT IMMEDIATELY!

UNLOADING WITHOUT FIRING: Always point your pistol in a safe direction before attempting to unload it. To unload unfired cartridges, move the Magazine Catch rearward until the Magazine can be pulled from the pistol. **AFTER THE MAGAZINE IS REMOVED, PULL THE SLIDE TO THE REAR TO REMOVE THE CARTRIDGE FROM THE BARREL CHAMBER.** As a safety precaution, always check the Barrel chamber visually by holding the Slide back and looking into the Slide, Chamber and Magazine cavities.

DISASSEMBLY

Pistol must be unloaded to perform disassembly. Move slide to rearmost position. Allow slide to move forward 1/8 inch, exposing slide retainer pin. Using a 1/8 pin punch, remove retainer pin from frame. Lift slide up until it stops. Hold rear of slide up and push forward; this removes slide assembly from frame. Reassemble by reversing disassembly procedure.

**ALL FIREARMS ARE DANGEROUS
PLEASE BE CAREFUL**

ATTENTION

This handgun is classified by the A.T.F. Division of the Internal Revenue Service, U.S. Treasury Dept. as a firearm or dangerous weapon and is released by **Hi-Point Firearms, Haskell Manufacturing Inc.** with the express understanding that **Hi-Point Firearms, Haskell Manufacturing Inc.** is not responsible and assumes no liability in any manner whatsoever for injury, death, or damage to property resulting from either intentional or accidental discharge of this handgun, or from its function when used for purposes or subjected to treatment for which it was not designed. **Hi-Point Firearms, Haskell Manufacturing Inc.** will not honor claims involving this firearm which result from any or a combination of any of the following:

- Improper, careless or unsafe handling.
- Use of the wrong caliber ammunition.
- Use of ammunition, other than original high quality commercially manufactured ammunition, in good condition.
- Unauthorized adjustments, repairs or alterations.
- Corrosion or neglect.
- Other influences beyond our direct and immediate control.

Hi-Point Firearms, Haskell Manufacturing Inc. will not honor any claim whatsoever by second or any subsequent owner of this firearm.

Hi-Point Firearms, Haskell Manufacturing Inc. will not be held liable for any injury or damages to any person resulting from the use of this firearm for any purpose, including civil defense, police activity, hunting dangerous game, or combat.

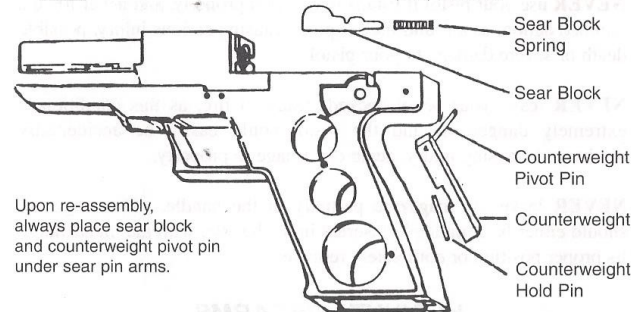
This statement of liability supersedes any other statement of liability, whether expressed or implied.

HI-POINT FIREARMS

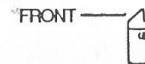


by HASKELL MANUFACTURING, INC.

585 East Blue Lick Road
Lima, Ohio 45801
(419) 225-8297



NOTE: When installing sear pin, ramp on top of sear pin faces to the front of handgun.



STOP!

YOU MUST READ INSTRUCTION SHEET

Always keep it with the pistol. If you lend, give, or sell this pistol, be sure the instruction sheet goes with it. You can get a free instruction sheet from: **Hi-Point Firearms, Haskell Manufacturing Inc., 585 East Blue Lick Road, Lima, Ohio 45801, (419) 225-8297.**

GET INSTRUCTIONS FROM A COMPETENT FIREARM INSTRUCTOR BEFORE USING ANY GUN.

STATEMENT OF LIMITED WARRANTY

The Model JH 45 ACP is warranted to the original retail customer for life from date of original purchase against defects in material and/or workmanship. All parts and labor or replacement, at our option, are covered.

Transportation to and from repair facilities, damage caused by failure to perform normal maintenance, sales outside the United States, damage due to the use of high pressure, reloaded or other nonstandard ammunition, or any unauthorized repair, modification, misuse, abuse, or alteration of the product is not covered by this Limited Warranty.

Any implied warranties, including the implied warranties of merchantability and fitness for a particular purpose, are limited to one year from date of original retail purchase. Consequential or incidental damages or expenses, or any other expenses are not covered by this warranty.

TO OBTAIN SERVICE UNDER WARRANTY

Send your firearm to us via Priority Mail or UPS along with a photocopy of your proof of retail purchase freight charges prepaid. Be sure to include a statement as to the reason for return and make sure to include your complete return street address. Ship your product to the following address: **Hi-Point Firearms, Haskell Manufacturing Inc., 585 East Blue Lick Road, Lima, Ohio 45801.**

FOR FURTHER INFORMATION CONCERNING SHIPPING THROUGH THE U.S. MAIL AND UNITED PARCEL SERVICE, CALL 419-747-9444.

FOR BEST RESULTS USE JACKETED AMMUNITION.

Shown in "Safe" Position



MODEL JH 45 ACP

ALL FIREARMS ARE DANGEROUS PLEASE BE CAREFUL

We strongly advise that you familiarize yourself with all the mechanisms of this gun, or any gun, before putting any ammunition into it. We also strongly advise that the yellow safety plug we provide be kept in the chamber during transportation or storage of this firearm. A new plug will be provided free of charge upon request.

We provide reasonable care in the manufacture of this pistol, but assume no responsibility for its care, handling and use.

CAUTION

For your safety, and that of others, we strongly recommend that you do not store, carry or handle this, or any other firearm with a cartridge in the barrel until you are ready to shoot. A cartridge from the Magazine supply can be placed in the barrel, ready to shoot, in about the same length of time as required to move the Safety Slide from the "Safe" (S) position to the "Fire" position. Magazine capacity is seven cartridges.

BE CAREFUL!

CAUTIONS:

ALWAYS handle your pistol as if it were loaded, so that you never fire it accidentally when you think it is unloaded.

NEVER point your pistol at anything you do not intend to shoot so if it fires accidentally, injury, death or damage to property will be prevented.

NEVER take anyone's word that a gun is unloaded; check for yourself with fingers off the trigger and gun pointed in a safe direction, so that you never fire the gun accidentally when you think it is unloaded.

ALWAYS be sure barrel and action are clear of obstructions. Clean a fouled pistol immediately so that it will function correctly and safely.

NEVER squeeze the trigger or put your finger in the trigger guard until you are aiming at a target and ready to shoot. This will prevent you from firing the pistol when it is pointing in an unsafe direction.

NEVER put your finger on the trigger while cocking. (See "Loading the Pistol")

ALWAYS be absolutely sure of your target and the area behind it before you squeeze the trigger. A bullet could travel through or past your target up to 1-1/2 miles.....if in doubt, don't shoot.

NEVER leave a loaded pistol unattended. Someone, especially a child, may fire it and cause injury, death or damage to property.

NEVER use your pistol if it fails to function properly, and never force a jammed action, as a round may explode causing serious injury, possible death or severe damage to your pistol.

NEVER leave your pistol cocked, ready to fire, as this condition is extremely dangerous, and the pistol could easily be accidentally discharged, causing injury, death or damage to property.

NEVER leave the magazine partially in the handle. The magazine should either be completely inserted in the handle, with the magazine in its proper position or completely removed.

HI-POINT FIREARMS



MODEL JH 45 ACP

HASKELL MANUFACTURING INC.
585 EAST BLUE LICK ROAD
LIMA, OH 45801

PARTS LIST FOR MODEL JH 45 ACP

- | | |
|-----------------------|-----------------------------|
| 1. Ejection Pin | 14. Recoil Spring |
| 2. Ejection Key | 15. Trigger Pin |
| 3. Ejection Spring | 16. Trigger Assembly |
| 4. Slide | 17. Grip Screw (2) |
| 5. Firing Pin | 18. Grip (2) |
| 6. Firing Pin Spring | 19. Magazine Catch |
| 7. Slide Retainer | 20. Magazine Catch Spring |
| 8. Slide Retainer Pin | 21. Magazine Assembly |
| 9. Sear Spring | 22. Counterweight Hold Pin |
| 10. Sear Cam | 23. Counterweight Pivot Pin |
| 11. Sear Assembly | 24. Counterweight |
| 12. Safety | 25. Sear Block |
| 13. Frame | 26. Sear Block Spring |

Contact your local dealer for parts inquiry

To order extra magazines, send a \$15 money order (includes shipping & handling) per magazine to: **Haskell Manufacturing Inc., 585 East Blue Lick Road, Lima, Ohio 45801.**

Prices available upon request. Changes in design may occur from time to time. Always specify the serial number of your pistol with your inquiry.

